

Pb Free Plating Product

## U10A2CIC/U10A4CIC/U10A6CIC



10 Ampere Insulated Common Cathode Fast Recovery Half Bridge Rectifiers

### Features

- ★ Latest GPP technology with super fast recovery time
- ★ Low forward voltage drop
- ★ High current capability
- ★ Low reverse leakage current
- ★ High surge current capability

### Application

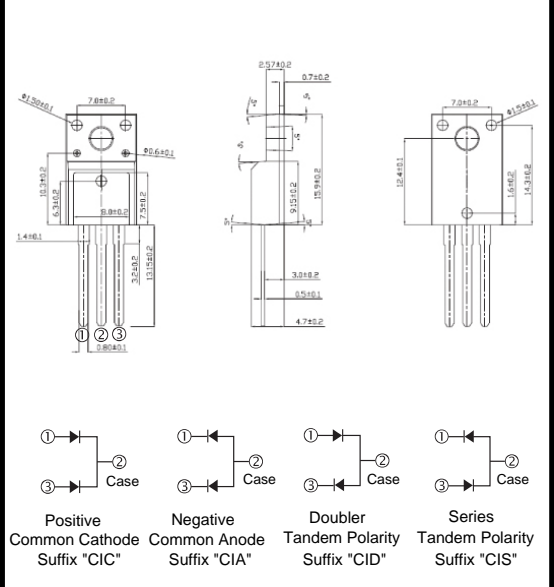
- ★ Automotive Inverters and Solar Inverters
- ★ Plating Power Supply, SMPS, EPS and UPS
- ★ Car Audio Amplifiers and Sound Device Systems

### Mechanical Data

- ★ Case: Fully Isolated Molding TO-220FP
- ★ Epoxy: UL 94V-0 rate flame retardant
- ★ Terminals: Solderable per MIL-STD-202 method 208
- ★ Polarity: As marked on diode body
- ★ Mounting position: Any
- ★ Weight: 2.0 gram approximately

### ITO-220AB

Unit:mm



## MAXIMUM RATINGS AND ELECTRICAL CHARACTERISTICS

Rating at 25°C ambient temperature unless otherwise specified.

Single phase, half wave, 60Hz, resistive or inductive load.

For capacitive load, derate current by 20%.

	SYMBOL	U10A2CIC	U10A4CIC	U10A6CIC	UNIT
Maximum Recurrent Peak Reverse Voltage	V <sub>RRM</sub>	200	400	600	V
Maximum RMS Voltage	V <sub>RMS</sub>	140	280	420	V
Maximum DC Blocking Voltage	V <sub>DC</sub>	200	400	600	V
Maximum Average Forward Rectified Current T <sub>C</sub> =100°C	I <sub>F(AV)</sub>	10.0			A
Peak Forward Surge Current, 8.3ms single Half sine-wave superimposed on rated load (JEDEC method)	I <sub>FSM</sub>	100			A
Maximum Instantaneous Forward Voltage @ 5.0 A	V <sub>F</sub>	0.98	1.3	1.7	V
Maximum DC Reverse Current @ T <sub>J</sub> =25°C At Rated DC Blocking Voltage @ T <sub>J</sub> =125°C	I <sub>R</sub>	5.0 100			uA uA
Maximum Reverse Recovery Time (Note 1)	T <sub>rr</sub>	35			nS
Typical junction Capacitance (Note 2)	C <sub>J</sub>	65			pF
Typical Thermal Resistance (Note 3)	R <sub>θJC</sub>	2.2			°C/W
Operating Junction and Storage Temperature Range	T <sub>J</sub> , T <sub>STG</sub>	-55 to +150			°C

NOTES : (1) Reverse recovery test conditions I<sub>F</sub> = 0.5A, I<sub>R</sub> = 1.0A, I<sub>rr</sub> = 0.25A.  
 (2) Measured at 1.0 MHz and applied reverse voltage of 4.0 Volts DC.  
 (3) Thermal Resistance junction to case.

FIG.1 - FORWARD CURRENT DERATING CURVE

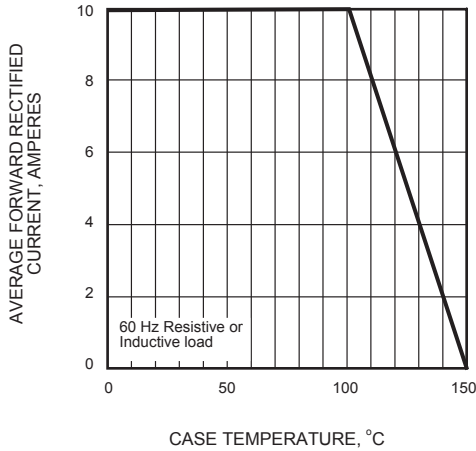


FIG.2 - MAXIMUM NON-REPETITIVE PEAK FORWARD SURGE CURRENT

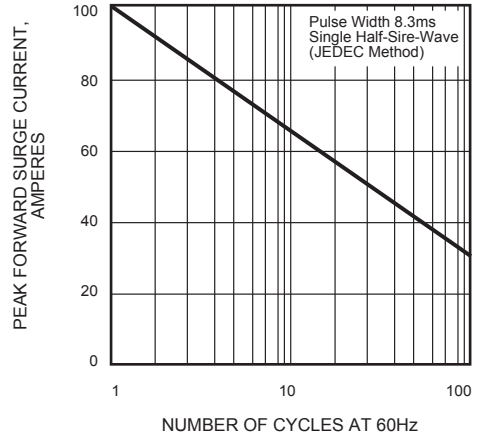


FIG.3 - TYPICAL INSTANTANEOUS FORWARD CHARACTERISTICS

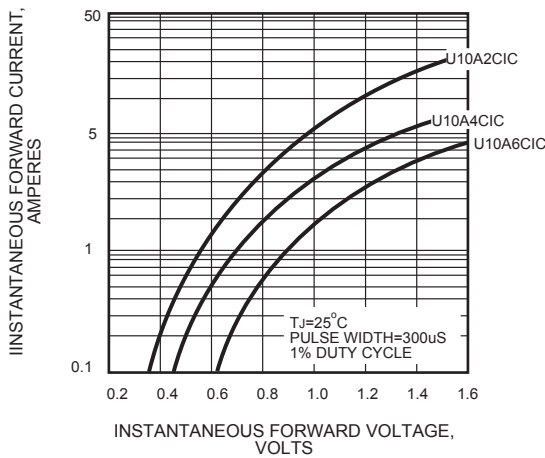


FIG.4 - TYPICAL REVERSE CHARACTERISTICS

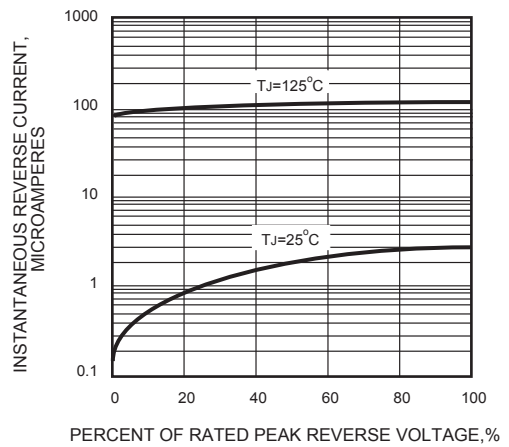


FIG.5 - TYPICAL JUNCTION CAPACITANCE

